

XS112BLNAL2

Inductive proximity sensors XS, inductive sensor XS1 M12, L44mm, brass, Sn2mm, 12...24 VDC, cable 2 m



Product availability: Non-Stock - Not normally stocked in distribution facility

Price*: 33.40 USD



Main

| | |
|-------------------------------|---|
| Range of product | Telemecanique Inductive proximity sensors XS |
| Series name | General purpose |
| Sensor type | Inductive proximity sensor |
| Sensor name | XS1 |
| Sensor design | Cylindrical M12 |
| Size | 44 mm |
| Body type | Fixed |
| Enclosure material | Nickel Plated Brass |
| Type of output signal | Discrete |
| Wiring technique | 3-wire |
| [Sn] nominal sensing distance | 0.08 In (2 mm) |
| Discrete output function | 1 NO |
| Discrete output type | NPN |
| Electrical connection | Cable |
| Cable length | 6.56 Ft (2 m) |
| [Us] rated supply voltage | 12...24 V DC reverse polarity protection |
| Switching capacity in mA | <= 200 mA overload and short-circuit protection |
| IP degree of protection | IP67 conforming to IEC 60529 |

Complementary

| | |
|------------------------------------|-----------------------------|
| ISO thread | M12 x 1 |
| Detection face | Frontal |
| Detector flush mounting acceptance | Flush mountable |
| Material | Metal |
| Front material | PBT |
| Operating zone | 0.00...0.06 In (0...1.6 mm) |
| Differential travel | 1...15% of Sr |
| Output circuit type | DC |

| | |
|--------------------------|------------------------------|
| Cable composition | 3 x 0.14 mm ² |
| Wire insulation material | PVC |
| Status LED | Output state: 1 LED (yellow) |
| Supply voltage limits | 10...36 V DC |
| Switching frequency | <= 2500 Hz |
| Maximum voltage drop | <2 V (closed) |
| Current consumption | <= 10 mA no-load |
| Maximum delay first up | 15 Ms |
| Maximum delay response | 0.1 Ms |
| Maximum delay recovery | 0.15 Ms |
| Marking | CE |
| Threaded length | 1.22 In (31 mm) |
| Length | 1.73 In (44 mm) |
| Net weight | 0.15 Lb(US) (0.07 kg) |

Environment

| | |
|---------------------------------------|---|
| Ambient air temperature for operation | -13...158 °F (-25...70 °C) |
| Ambient air temperature for storage | -40...185 °F (-40...85 °C) |
| Vibration resistance | 25 gn +/- 2 mm 10...55 Hz)IEC 60068-2-6 |
| Shock resistance | 50 gn 11 ms IEC 60068-2-27 |

Ordering and shipping details

| | |
|-----------------------|-----------------------------------|
| Category | 22414 - SENSORS, INDUCTIVE, BASIC |
| Discount Schedule | DS2 |
| GTIN | 03389119001731 |
| Nbr. of units in pkg. | 1 |
| Package weight(Lbs) | 1.80 Oz (51 g) |
| Returnability | No |
| Country of origin | ID |

Packing Units

| | |
|------------------------|---------------------|
| Unit Type of Package 1 | PCE |
| Package 1 Height | 0.95 In (2.402 cm) |
| Package 1 width | 4.29 In (10.89 cm) |
| Package 1 Length | 4.69 In (11.911 cm) |

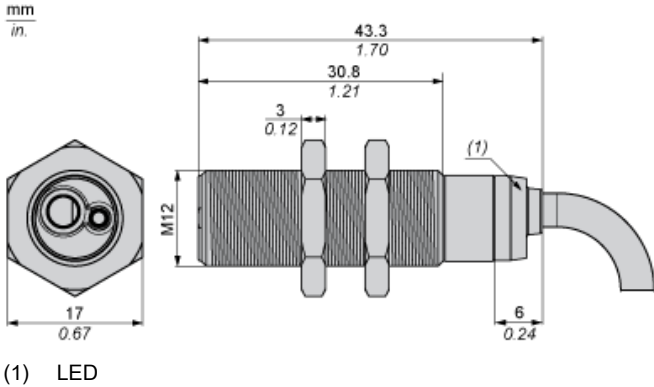
Offer Sustainability

| | |
|----------------------------|---|
| Sustainable offer status | Green Premium product |
| California proposition 65 | WARNING: This product can expose you to chemicals including: Diisononyl phthalate (DINP), which is known to the State of California to cause cancer, and Di-isodecyl phthalate (DIDP), which is known to the State of California to cause birth defects or other reproductive harm. For more information go to www.P65Warnings.ca.gov |
| REACH Regulation | REACH Declaration |
| EU RoHS Directive | Pro-active compliance (Product out of EU RoHS legal scope) EU RoHS Declaration |
| Mercury free | Yes |
| RoHS exemption information | Yes |
| Environmental Disclosure | Product Environmental Profile |
| Circularity Profile | End Of Life Information |

Contractual warranty

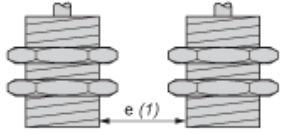
| | |
|----------|-----------|
| Warranty | 18 months |
|----------|-----------|

Dimensions



Minimum Mounting Distances

Side by side



e (1) \geq 4 mm/0.16 in.

Face to face



e (2) \geq 4 mm/0.94 in.

Facing a metal object



e (3) \geq 6 mm/0.24 in.

Wiring Schemes



BU : Blue
BN : Brown
BK : Black

Performance Curves

Standard Steel Target : 12x12x1 mm



- (1) Pick-up points
- (2) Drop-out points (object approaching from the side)
- (y) Sensing distance in mm

Product Life Status : Commercialised